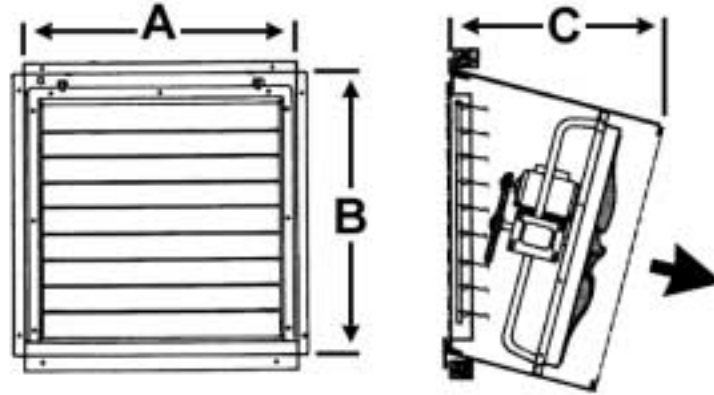


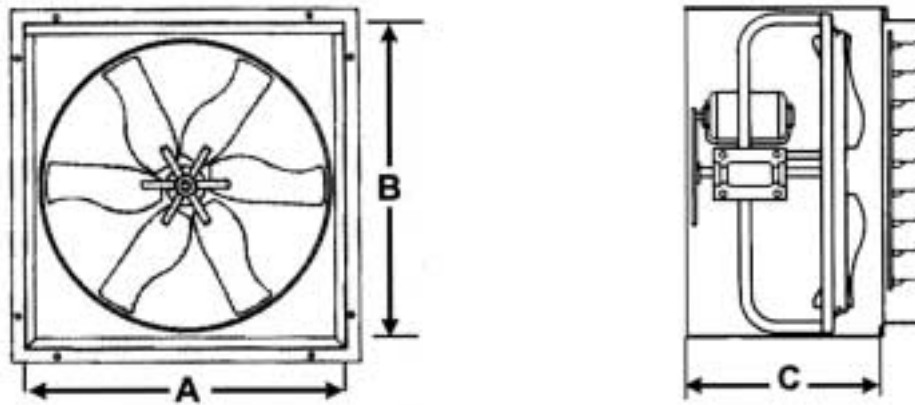
MODEL WS SLANT WALL HOUSING WITH WAA AUTOMATIC SHUTTER



FAN SIZE	WALL HOUSING		AUTOMATIC ALUMINUM SHUTTER		INLET GUARD		INSIDE FRAMED OPENING DIMENSIONS		
	MODEL	WT.	MODEL	WT.	MODEL	WT.	A	B	C
12"	WS12FQ	20	WAA1515	4	GS12	4	16 ³ / ₄ "	18"	24"
16"	WS16FQ	23	WAA2020	8	GS16	4	21 ³ / ₄ "	23 ¹ / ₄ "	27"
18"	WS18FN	28	WAA2222	8	GS18	5	23 ³ / ₄ "	25 ¹ / ₄ "	24"
24"	WS24DC	35	WAA2727	9	GS24	5	28 ³ / ₄ "	30 ³ / ₄ "	31 ¹ / ₈ "
30"	WS30DC	42	WAA3333	13	GS30	7	34 ³ / ₄ "	36 ¹ / ₂ "	34 ¹ / ₄ "
36"	WS36DC	46	WAA3939	17	GS36	10	40 ³ / ₄ "	42 ³ / ₄ "	34 ¹ / ₈ "
42"	WS42DC	53	WAA4545	25	GS42	12	46 ³ / ₄ "	49"	36 ³ / ₄ "
48"	WS48DC	78	WAA5454	35	GS48	15	54 ³ / ₄ "	57 ¹ / ₄ "	40 ⁷ / ₈ "
54"	WS54DC	106	WAA6060	40	GS54	18	60 ³ / ₄ "	63 ¹ / ₂ "	39 ¹ / ₂ "

CAUTION! Gaurds must be installed when fan is within reach of personnel or within seven (7) feet of working level or when deemed advisable for safety.

MODEL WB SQUARE WALL HOUSING WITH WAA AUTOMATIC SHUTTER



FAN SIZE	WALL HOUSING		AUTOMATIC ALUMINUM SHUTTER		INLET GUARD		INSIDE FRAMED OPENING DIMENSIONS		
	MODEL	WT.	MODEL	WT.	MODEL	WT.	A	B	C
24"	WB24DC	30	WAA2727	9	GD24	5	28 ³ / ₄ "	28 ³ / ₄ "	24"
30"	WB30DC	36	WAA3333	13	GD30	7	34 ³ / ₄ "	34 ³ / ₄ "	24"
36"	WB36DC	38	WAA3939	17	GD36	10	40 ³ / ₄ "	40 ³ / ₄ "	24"
42"	WB42DC	40	WAA4545	25	GD42	12	46 ³ / ₄ "	46 ³ / ₄ "	24"
48"	WB48DC	70	WAA5454	35	GD48	15	54 ³ / ₄ "	54 ³ / ₄ "	25"
54"	WB54DC	96	WAA6060	40	GD54	18	60 ³ / ₄ "	60 ³ / ₄ "	29"

CAUTION! Gaurds must be installed when fan is within reach of personnel or within seven (7) feet of working level or when deemed advisable for safety.